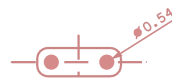
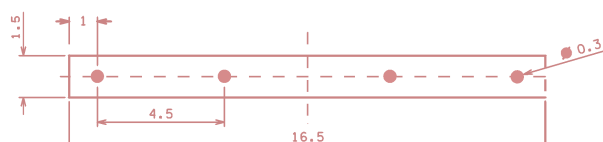
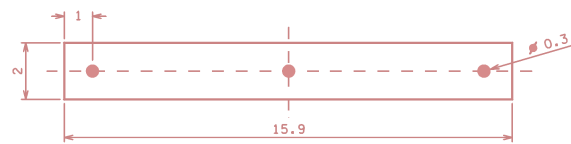
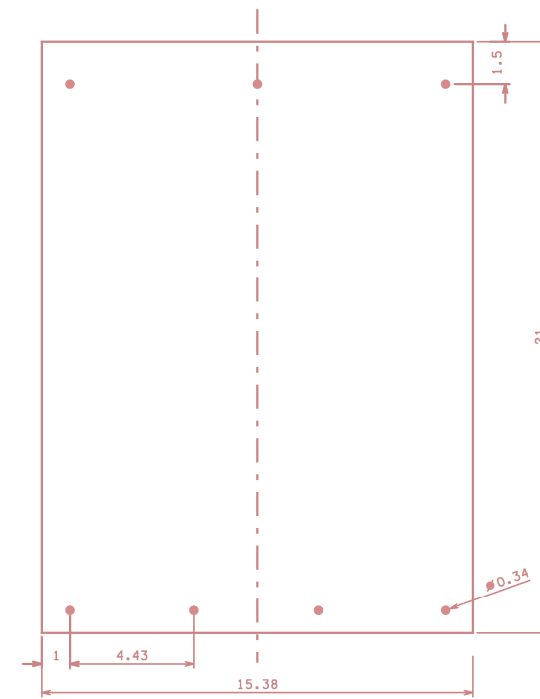
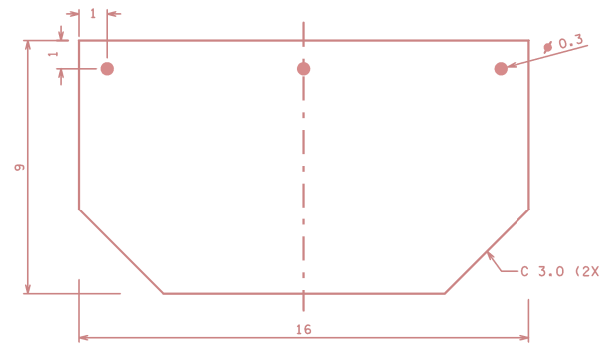
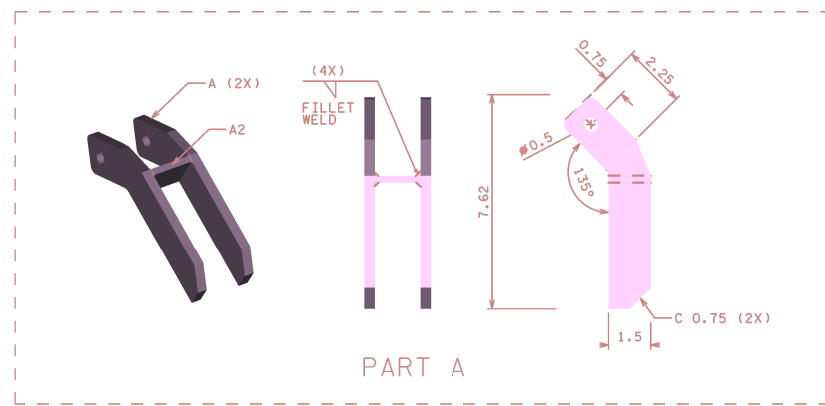


NOTES:

- 1) ROLL PART B TO 6.5" RAD
- 2) ROLL PART C TO 7" RAD
- 3) ALL DIMENSIONS ARE IN INCHES



BILL OF MATERIALS		
PART	QUANTITY	MATERIAL
A	2	.25 X 3.25 X 7" STEEL
A2	1	.25 X 1.6 X 1.5" STEEL
B	1	.25 X 2 X 15.9" STEEL
C	1	.25 X 1.5 X 16.5" STEEL
D	1	.25 X 9.0 X 16.0" TIRE RUBBER
E	1	.12 X 15.38 X 21.0" PLASTIC
F	9	.25 X 3" STEEL LOOP
G	9	.25 X 1 X 3" STEEL
-	7	SAE 5/16-18 X 1" BOLT
-	7	SAE 5/16-18 WASHER
-	7	5/16 NYLON LOCK NUT
-	1	5/16 X 2' CHAIN

SALT CHUTE (FOR S&I APPLICATIONS)